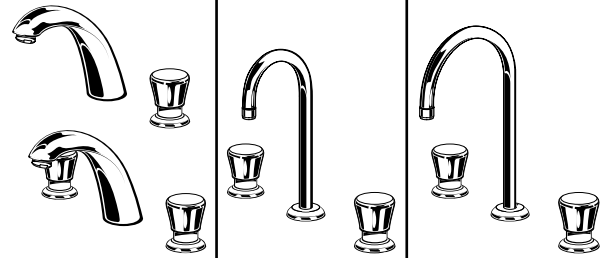


American Standard

Installation Instructions

METERING SPREAD LAVATORY FAUCETS

1340.725
1340.825
1340.855
1340.865



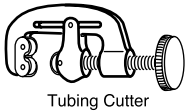
Thank you for selecting American-Standard...the benchmark of fine quality for over 100 years.

To ensure that your installation proceeds smoothly—please read these instructions carefully before you begin.

Certified to comply with ANSI A112.18.1M

M968492

TOOLS REQUIRED



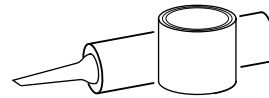
Tubing Cutter



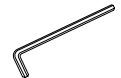
Channel Locks



Adjustable Wrench



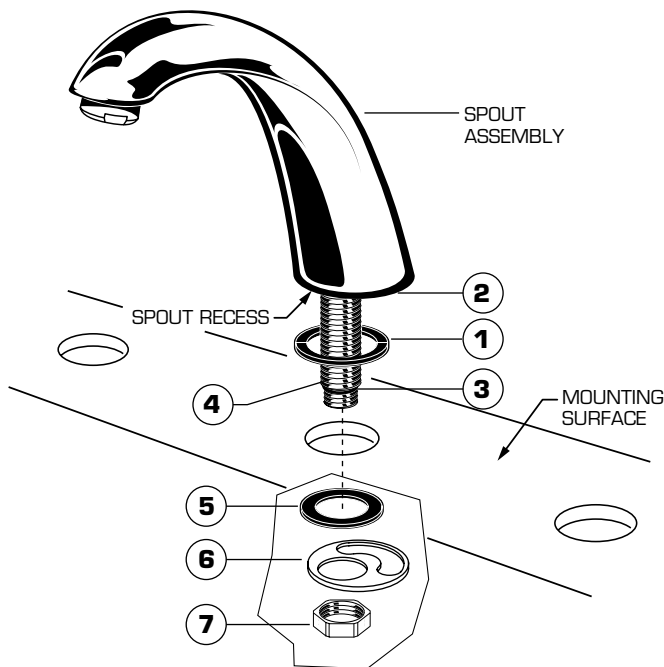
Plumbers' Putty or Caulking



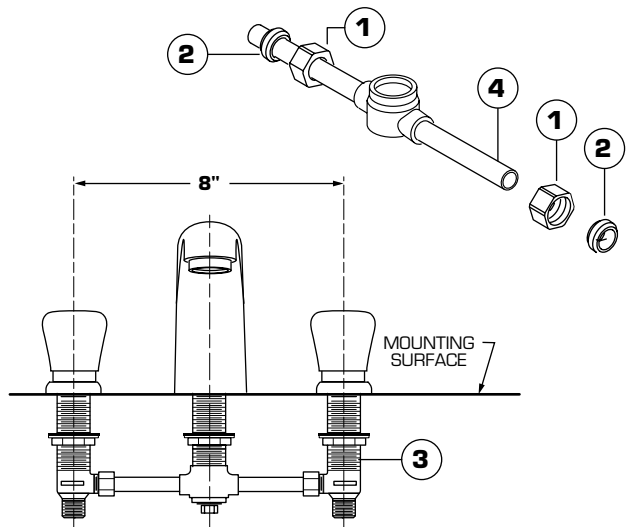
2.5mm Hex Wrench

1 SPOUT ASSEMBLY **CAUTION** Turn off hot and cold water supplies before beginning. 2 PREPARE TUBE AND TEE ASSEMBLY

- Install RING WASHER (1) into SPOUT (2) recess. Check that O-RING (3) on end of SPOUT SHANK (4) is in place. Insert SPOUT SHANK (4) into center hole on mounting surface.
- Assemble RUBBER WASHER (5) and BRASS WASHER (6) and LOCKNUT (7) onto SPOUT SHANK (4). Align SPOUT ASSEMBLY. From underside of ledge, tighten LOCKNUT (7) to secure SPOUT ASSEMBLY to mounting surface.

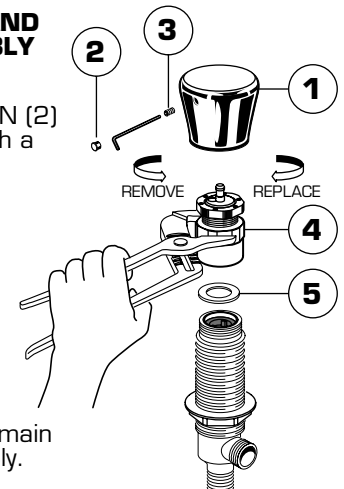


- Remove COUPLING NUT (1) and FERRULE (2) from each VALVE (3) and slide onto TUBING (4).



3 REMOVE HANDLE AND ACTUATOR ASSEMBLY

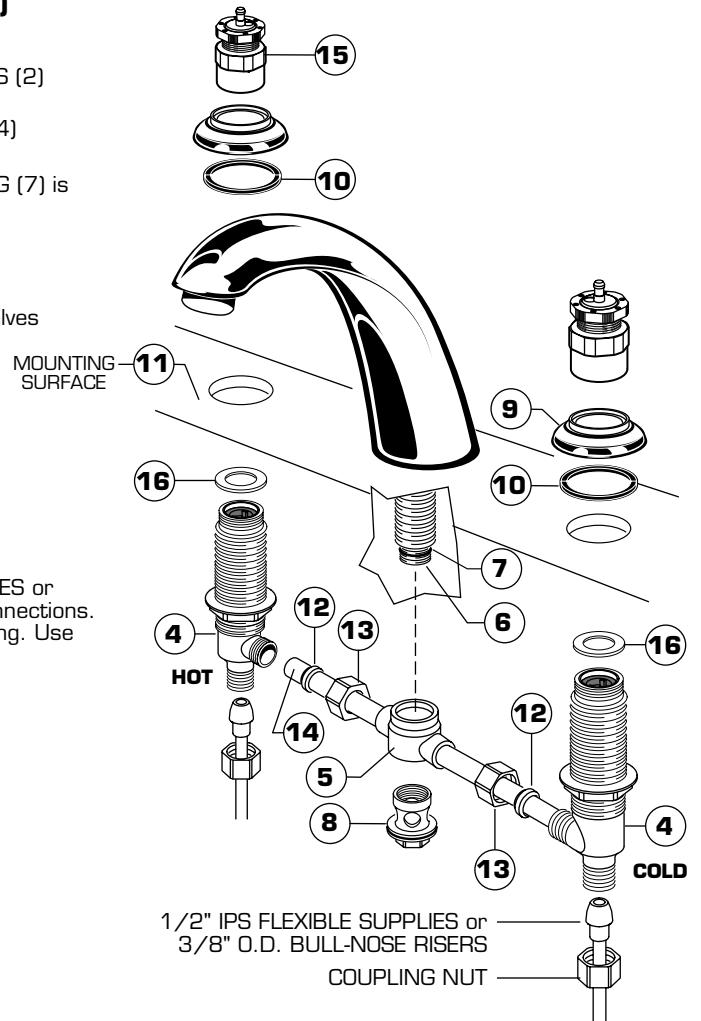
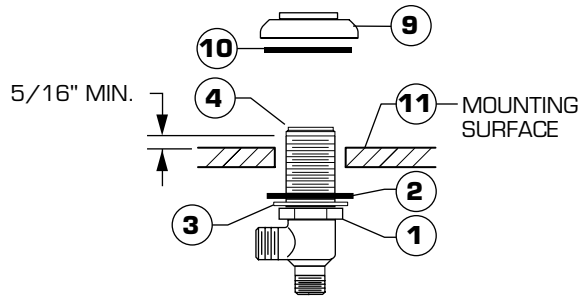
- Remove HANDLE (1) by removing INDEX BUTTON (2) and SET SCREW (3) with a 2.5mm hex wrench.
- Pull off HANDLE (1).
- Remove ACTUATOR ASSEMBLY (4).
- Remove WASHER (5).



NOTE: Washer (5) may remain inside of Actuator Assembly.

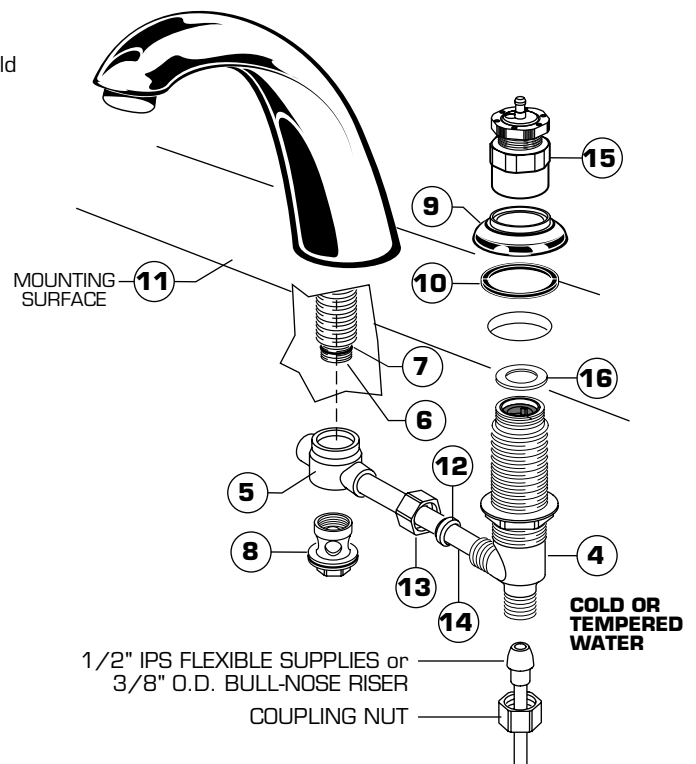
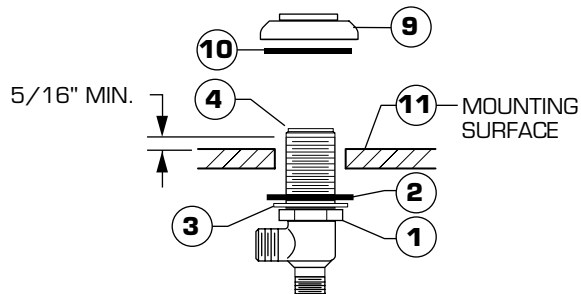
4 VALVE ASSEMBLY (1340.825; 1340.855; 1340.865)

- Install LOCKNUTS (1), METAL WASHERS (3) and RUBBER WASHERS (2) onto valve shanks.
- Push TUBING (14) ends into VALVE (4) side outlets. Insert VALVES (4) into mounting holes from underside of ledge.
- Press TEE (5) onto SPOUT SHANK (6) making certain that the O-RING (7) is properly seated on SHANK (6). Push COUPLING (8) into TEE (5) and attach to SPOUT SHANK (6) and tighten.
- Thread of VALVE BODY (4) should extend at least 5/16 inch above MOUNTING SURFACE (11). If necessary, adjust LOCKNUT (1).
- Place RUBBER RING (10) into ESCUTCHEONS (9) and thread onto valves until snug against internal stop.
- Tighten LOCKNUT (1) to secure VALVE (4) position.
- Slide FERRULE (12) and COUPLING NUT (13) to outlet of VALVE (4) and tighten COUPLING NUT (13) firmly.
- Place WASHER (16) on top of VALVE ASSEMBLY (4).
- Thread VALVE ACTUATORS (15) onto VALVES (4) and torque VALVE ACTUATOR 12-15 ft. lbs, (12-20Nm).
- Connect water supply to VALVES (4) with 1/2" IPS FLEXIBLE SUPPLIES or 3/8" O.D. BULL-NOSE RISERS. Use adjustable wrench to tighten connections. Do not over tighten. Be careful not to kink copper supply when bending. Use tubing cutter to cut to proper length.



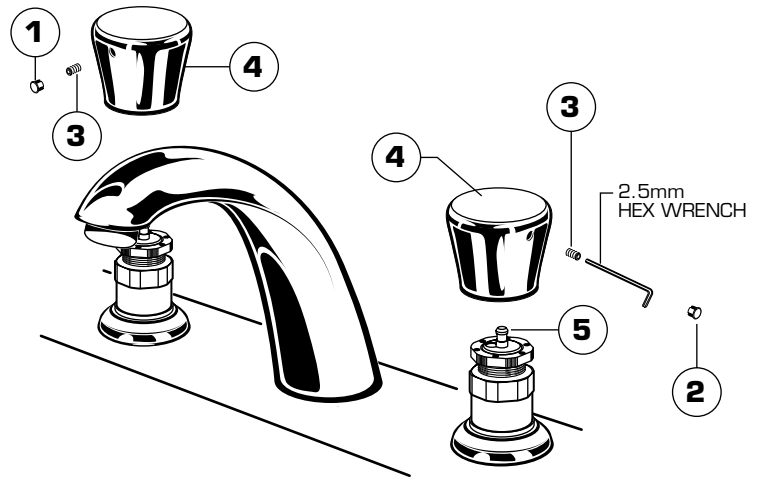
4a VALVE ASSEMBLY (1340.725) For Cold or Tempered Water Supply

- Valve assembly is same as two handle lavatory faucets. See above instructions for assembly, (1340.725 Single Valve Faucet) is for Cold or Tempered water only.



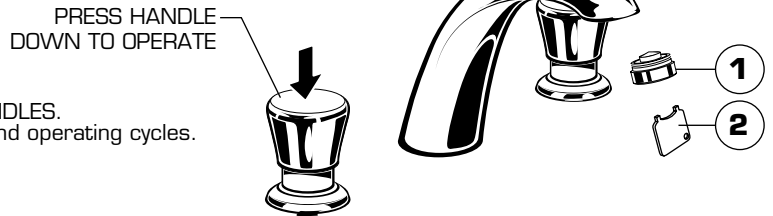
5 INSTALL HANDLES

- Remove INDEX BUTTON (1; 2) and loosen SET SCREW (3) with a 2.5mm hex wrench.
- Install HANDLES (4) onto VALVE STEM (5).
- Tighten SET SCREWS (3) with 2.5mm Hex Wrench.
- Replace INDEX BUTTONS. Red (1) in Left HANDLE (4)
Blue (2) in Right HANDLE (4).



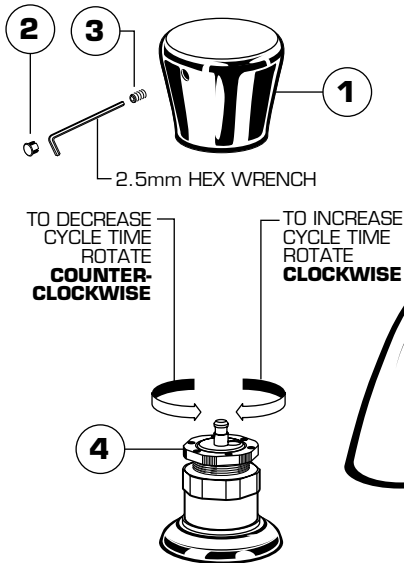
6 TEST INSTALLED FITTING

- Turn on water supplies and check connections for leaks.
- Remove AERATOR (1) with KEY (2) supplied.
- Operate HOT and COLD HANDLES by pressing down on HANDLES. Both Hot and Cold handles are set for approximately 8 second operating cycles.
- Replace AERATOR (1).



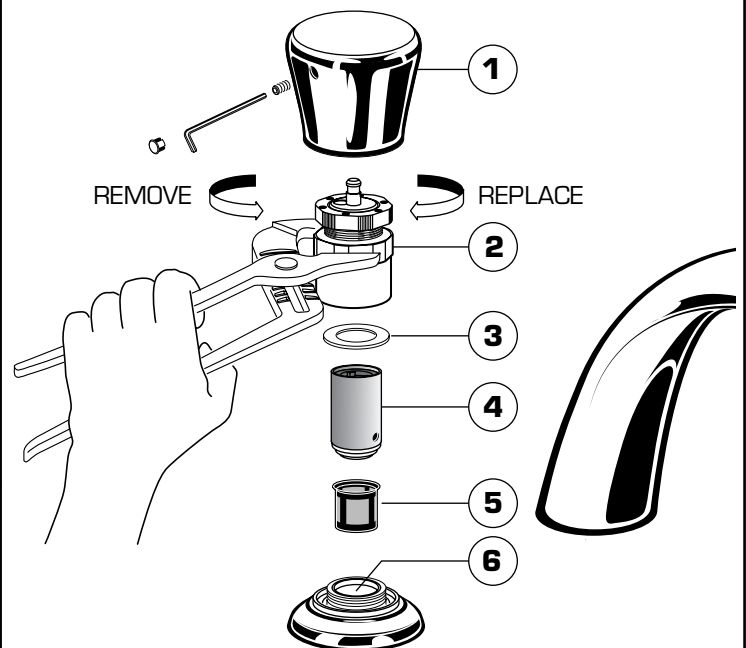
7 TO ADJUST CYCLE TIME

- Remove HANDLE (1) by removing INDEX BUTTON (2) and SET SCREW (3) with a 2.5mm hex wrench.
- Pull off HANDLE (1).
- To increase cycle time, turn the gray PLASTIC ADJUSTING KNOB (4) **clockwise**.
- To decrease cycle time, turn the gray PLASTIC ADJUSTING KNOB (4) **counter-clockwise**.
- Replace SET SCREW (3), INDEX BUTTON (2) and HANDLE (1). Test faucet for proper operation and cycle time.



8 SERVICE

- Remove HANDLE (1). Refer to Step 4 for handle removal.
- Remove ACTUATOR ASSEMBLY (2).
- Remove WASHER (3). Pull out VALVE ASSEMBLY (4) and FILTER SCREEN (5).
- Inspect that VALVE ASSEMBLY (4), FILTER SCREEN (5) and VALVE SEAT (6) are clean and free from debris. VALVE ASSEMBLY (3) and FILTER SCREEN (5) can be cleaned with soap and water.
- Replace FILTER SCREEN (5) and VALVE ASSEMBLY (4). Place WASHER (3) on top of VALVE ASSEMBLY (4). Thread VALVE ACTUATOR (2) onto faucet. Torque VALVE ACTUATOR (2) to 12-15 ft. lbs (15-20 Nm).
- Replace HANDLE (1).



CARE INSTRUCTIONS:

DO: SIMPLY RINSE THE PRODUCT CLEAN WITH CLEAR WATER. DRY WITH A SOFT COTTON FLANNEL CLOTH.

DO NOT: CLEAN THE PRODUCT WITH SOAPS, ACID, POLISH, ABRASIVES, HARSH CLEANERS, OR A CLOTH WITH A COARSE SURFACE.

1340.825
1340.725
5" GN 1340.855
6" GN 1340.865

M962390-YYY0A
HANDEL KIT

M962391-0070A
INDEX KIT

M952200-YYY0A
ACTUATOR UNIT

M913860-0070A
WASHER

M952210-0070A
VALVE

M952220-0070A
FILTER SCREEN

M962398-YYY0A
ESCUTCHEON KIT

051213-0070A
MOUNTING KIT

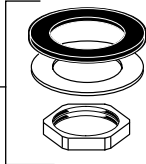
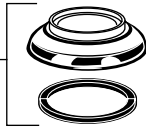
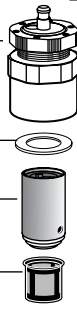
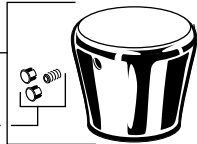
024220-0070A
SUPPLY NUT

012078-0070A
VALVE COUPLING KIT

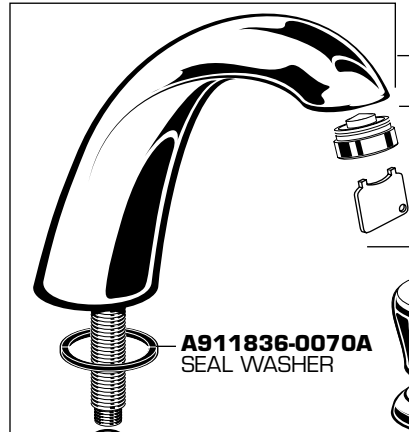
M962406-YYY0A
6" SPOUT KIT

Replace the "YYY" with appropriate finish code

CHROME **002**



M962392-0070A
VALVE KIT



M962399-YYY0A
SPOUT KIT

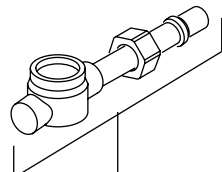
M962393-YYY0A
1.56 GPM AERATOR

A911836-0070A
SEAL WASHER

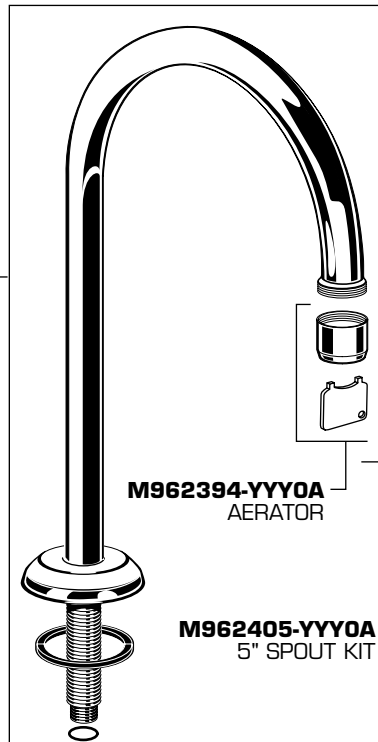
030253-0070A
SPOUT MTG. KIT

028679-0070A
TUBE & TEE ASSEMBLY

033757-0070A
TEE MTG. KIT

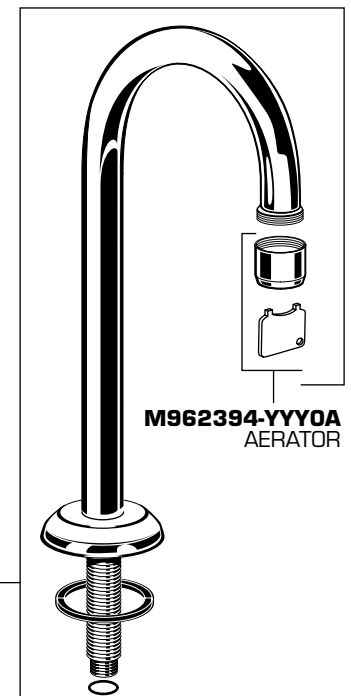


M962400-0070A
TUBE & TEE ASSEMBLY
(FOR 1340.725)



M962394-YYY0A
AERATOR

M962405-YYY0A
5" SPOUT KIT



M962394-YYY0A
AERATOR



HOT LINE FOR HELP
For toll-free information and answers to your questions, call:
1 (800) 442-1902
Weekdays 8:00 a.m. to 8:00 p.m. EST

IN CANADA 1-800-387-0369 (TORONTO 1-905-306-1093)
Weekdays 8:00 a.m. to 7:00 p.m. EST